



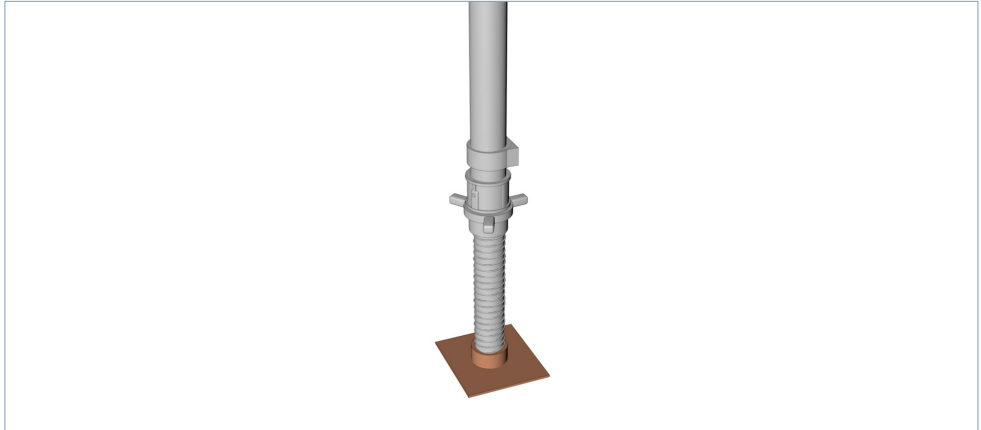
Lift Shaft Towers - Single Width

Product Information and Assembly Guide

Lift Shaft Towers

Note: These step by step instructions apply to 8 Rung Towers and Ladder Towers

1. Fit steel base plate firmly into all four legs.



2. Insert legs into 2m walkthrough frame and 2m 8rung frame, place 2 horizontal braces (red triggers) on bottom rungs of both frames. Make sure surface is clean flat and tower is being assembled on a solid concrete floor.



3. Place 2 diagonals from bottom rungs on both frame as picture. Adjust legs if needed to make sure base of tower is vertical and horizontal.



4. Fit platform.



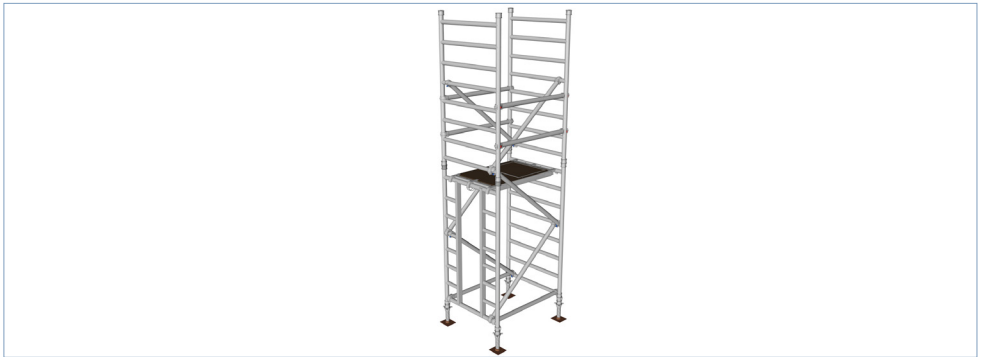
5. Fit frames and secure frames with locking frame clips.



6. Fit diagonal braces (blue trigger) from bottom frames to bottom rungs of top frames.

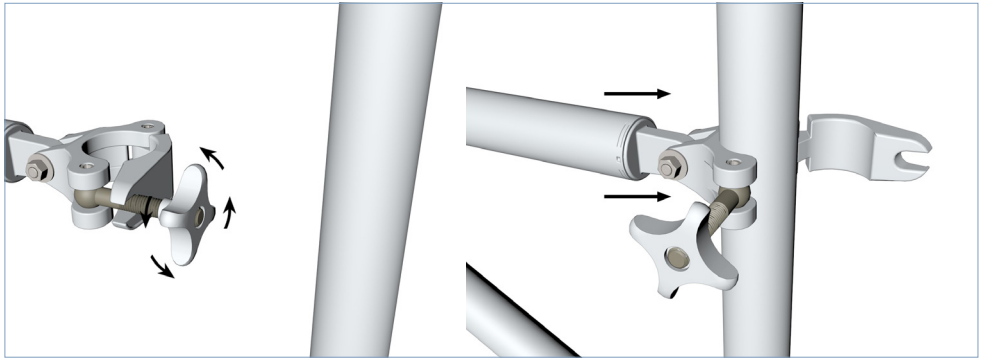
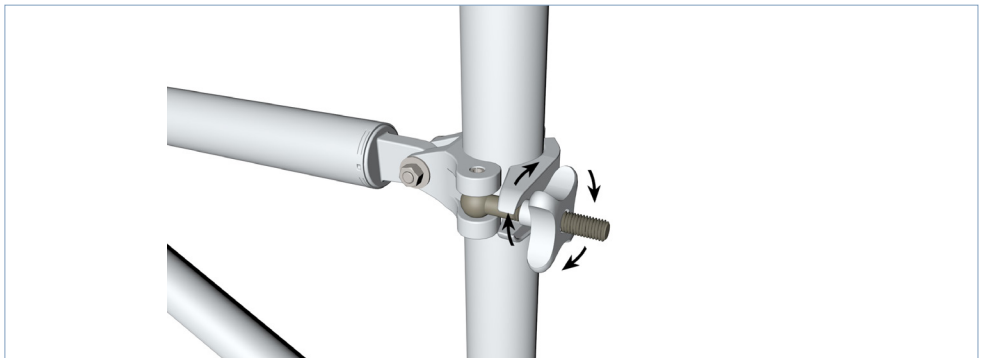


7. Fit 4 horizontal handrails above platform (500mm and 1000mm). Fit 2 more diagonal braces as pic.



8. While standing on platform you can now fix Stabilisers as pic.



8A. Fitting illustration.**8B. Fitting illustration.****9. Fit platform at top of frames.**

10. Fit additional frames using 3T method (through the Trap).



11. Fit diagonals braces as pic.



12. Fit two knee rails and two handrails 500mm and 1000mm from top of platform.



13. Fit 4 toe board blocks and toe board wood to platforms.



Safety Information

Use of stabiliser bar to maximise stability of Scaffold Tower. Place the stabiliser bars directly opposite each other to obtain firm stability of structure. Place the first pair of stabiliser bars 250mm above the first platform level and then every 4m. if using confined space stabilisers, place all four approx. 1m above platform height. As pic 8

The (SWL) Safe working Loads of complete structure.

This tower is designed for One person only to be working on the complete tower at any one time. The only exception to this rule is Assembly and dismantling of tower, two people maximum for Assembly and dismantling. Total SWL of the Lewis Lift Shaft Tower must not exceed 750KG, (The 750kg total weight must include the weight of the Scaffold tower itself). SWL maximum loading on any platform is 250kg.

Daily maintenance.

- Castings - check for cracks
- Welds - free from cracks
- Tubes/Braces/Rungs - Straight and with indents less than 5mm deep
- Platforms - no damage, free from debris
- Inspect the equipment for damage regularly, at least daily.
- **If any damages found on equipment DO NOT USE.**

LEWIS
TOWER SYSTEMS

Further Information

For further information and support please contact us on:

0800 043 2222
info@scaffold-tower.co.uk
www.lewisaccess.co.uk

Unit 1 Bellingham Trading Estate
Fanthorne Way
London
SE6 3BX